

LP® SmartSide® 38 Series Strand Substrate Vertical Siding for Board & Batten Applications

This Technical Note provides guidance for the application of LP® SmartSide® 38 Series Strand Substrate Vertical Siding for Board & Batten Applications. Additional application information may be found in LP® SmartSide® Strand Substrate Panel Siding Application Instructions and LP® SmartSide® Trim and Fascia Application Instructions.

LP SmartSide 38 Series Strand Substrate Vertical Siding may be installed in Board & Batten application, according to the following requirements.

- Siding must be installed over a minimum 7/16 Category wood structural panels with an APA Trademark that contains the consensus Standard DOC PS 1 or PS 2.
 - Exception: LP® FlameBlock® Fire-Rated OSB Sheathing
- Vertical Siding or Batten may only span one plate-to-plate. Due to plate shrinkage, each vertical application is not to span beyond one floor to ceiling distance, or one floor to top of gable distance. *(See Figures 5a & 5b)*
- Vertical Siding SHALL NOT be installed horizontally.
- Battens may be a minimum 0.5 x 1.5 inches (13 x 38 mm) wide [actual size].
 - Caution: When selecting a batten less than 2.5 inches (64 mm) wide [actual size] it may be difficult for batten to conceal nail heads on vertical siding.
 - Visible nail heads that are not covered by battens are an aesthetic issue and not covered by the LP SmartSide Limited Warranty.
- **Must be installed over non-compressible drainable housewrap to provide drainage behind siding.**
- Finish/Paint:
 - Prime and paint all field cuts and exposed ends following the paint manufacturer's instructions
- Vertical Siding must be spaced a minimum of 3/16 inch (5 mm). *(See Figure 4a & 4b)*
- Sealant is not required in any vertical joint covered by Batten and backed by a WRB.
- Minimum Fastener Type for **Vertical Siding**:
 - Corrosion Resistant = hot-dip galvanized (ASTM A153) or equivalent
 - Ring Shank
 - Shank diameter = 0.092 inch
 - Length = fastener shall be long enough to fully penetrate wood structural panel sheathing by at least 1/4 inch (6 mm). Ensure that the ring shanks of the nail fully engage the sheathing.
 - Caution: Choose a fastener length that will not damage wiring or other utilities in the exterior wall assembly

- Fastener Placement for **Vertical Siding**:
 - Maximum 3/8 inch (10 mm) from ends and edges *(See Figure 3c)*
- Fastener Spacing for **Vertical Siding**:
 - Fastened a maximum of 6 inches (152 mm) o.c. along the perimeter *(See Figure 3c)*
- Minimum Fastener Type for **Batten**:
 - Corrosion Resistant = hot-dip galvanized (ASTM A153) or equivalent
 - Ring Shank
 - Ring Shank nails provide superior resistance to fastener pull-through. In Hurricane-Prone Regions or locations where negative wind loads are a concern, ring shank nails should be used.
 - Trim nails may be used in other locations with the following cautions: Do not overdrive or counter sink the fastener, nail flush with the surface of batten. Batten nails shall be installed per the length, placement, spacing and quantity requirements listed in this document. Detachment of batten is not covered by the LP SmartSide limited warranty whether ring shank or trim nails are used.
 - Shank diameter = 0.092 inch
 - Length = fastener shall be long enough to fully penetrate Vertical Siding by at least 1/4 inch (6 mm) *(See Figure 4a & 4b)*
 - Caution: Choose a fastener length that will not damage wiring or other utilities in the exterior wall assembly
- Fastener Placement for **Battens**:
 - Maximum 3/8 inch (10 mm) from ends and edges *(See Figure 3a or 3b)*
- Fastener Spacing for **Battens**:
 - Fastened with two nails at both ends, with additional fasteners spaced a max. of 12 inches (305 mm) o.c. along alternating edges the length of the batten *(See Figure 3a)*
 - Exception: For battens less than 2.5 inches (64 mm) wide, 1 nail is required at each end, with additional fasteners spaced a maximum of 24 inches (305 mm) o.c. along alternating edges *(See Figure 3b)*
- **DO NOT bridge floors with Vertical Siding or Battens.** *(See Figure 5a)*
 - Create a horizontal joint between floors.
 - Horizontal joint must be flashed with sloped metal Z-flashing
- Vertical Siding must be applied in a manner that will not allow moisture intrusion or water buildup.
- All other requirements of the LP® SmartSide® Panel Siding Application Instructions and LP® SmartSide® Trim and Fascia Application Instructions must be followed.
- When using SmartSide siding with other siding products like stucco, brick or cultured stone veneers it is important to use a capillary break so moisture absorbed into those veneers cannot be transferred into siding. Separate SmartSide siding from veneers with minimum 3/8 inch (10 mm) space for horizontal or vertical joints, use sealant. Backer rod may be required by the sealant manufacturer. *(See Figure 6)*

Date Created: 03/15/2017
 Last Revision: 05/02/2020(b)

ADDRESS 414 Union Street
 Suite 2000 Nashville, TN
 TEL (615) 986-5600
 FAX (615) 986-5666
 WEB www.lpcorp.com

BUILD WITH US.™

**Preferred Batten
2.5" (64 mm) wide
or greater**

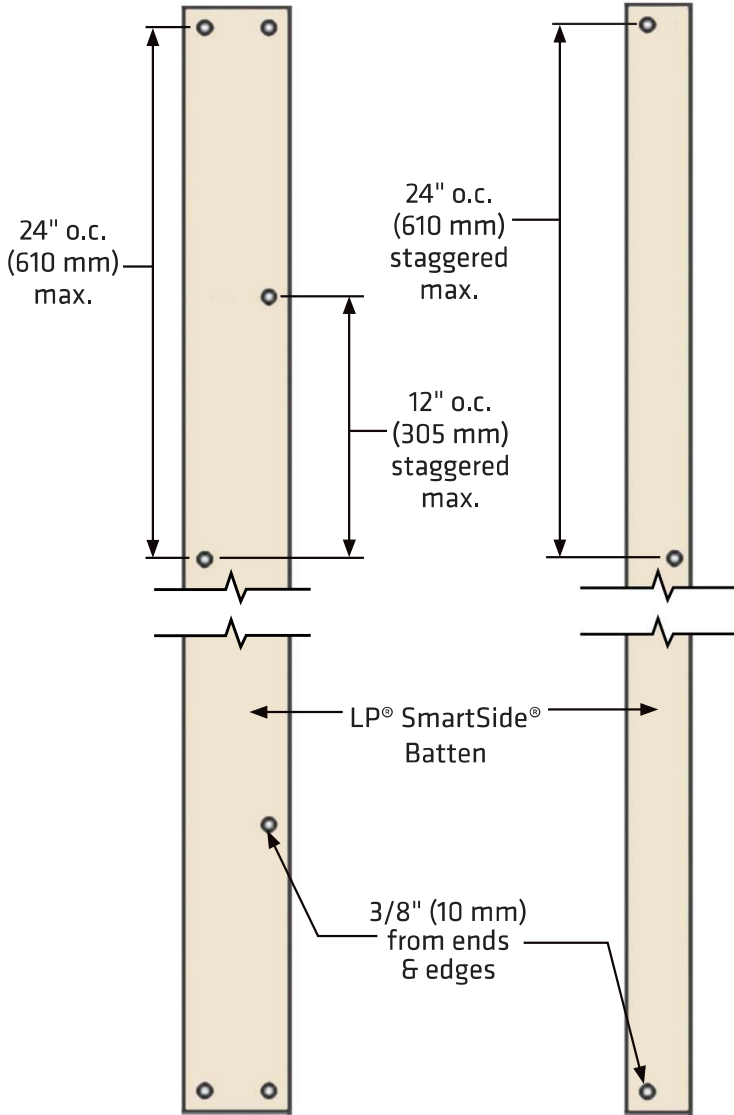


Figure 3a

**Alternate Batten less than
2.5" (64 mm) wide**

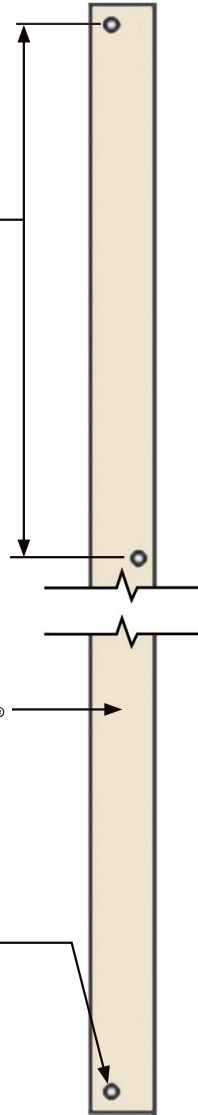


Figure 3b

Vertical Siding

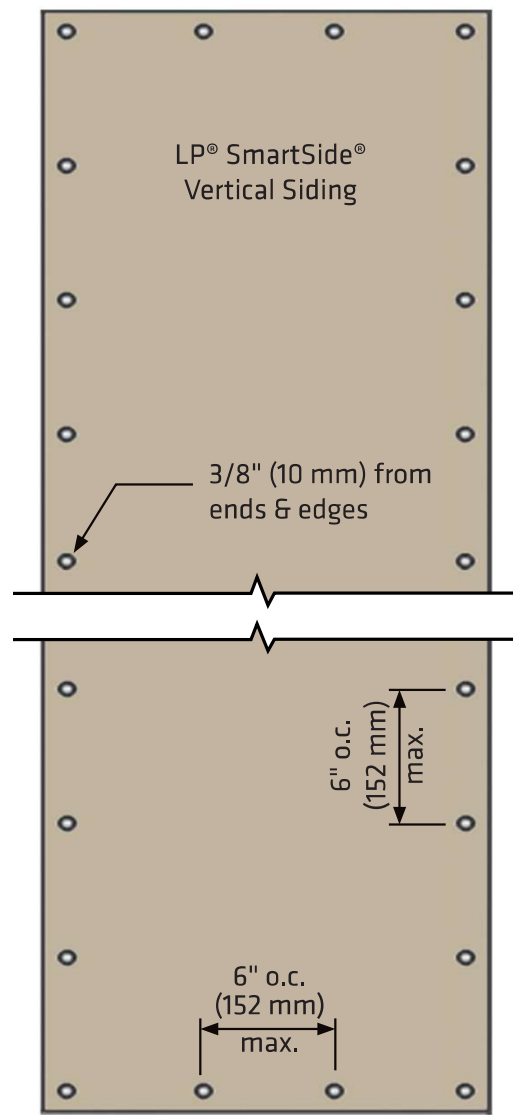


Figure 3c

Date Created: 03/15/2017
Last Revision: 05/02/2020(b)

ADDRESS 414 Union Street
Suite 2000 Nashville, TN
TEL (615) 986-5600
FAX (615) 986-5666
WEB www.lpcorp.com

BUILD WITH US.™

Preferred Batten Attachment 2.5" (64 mm) wide or greater

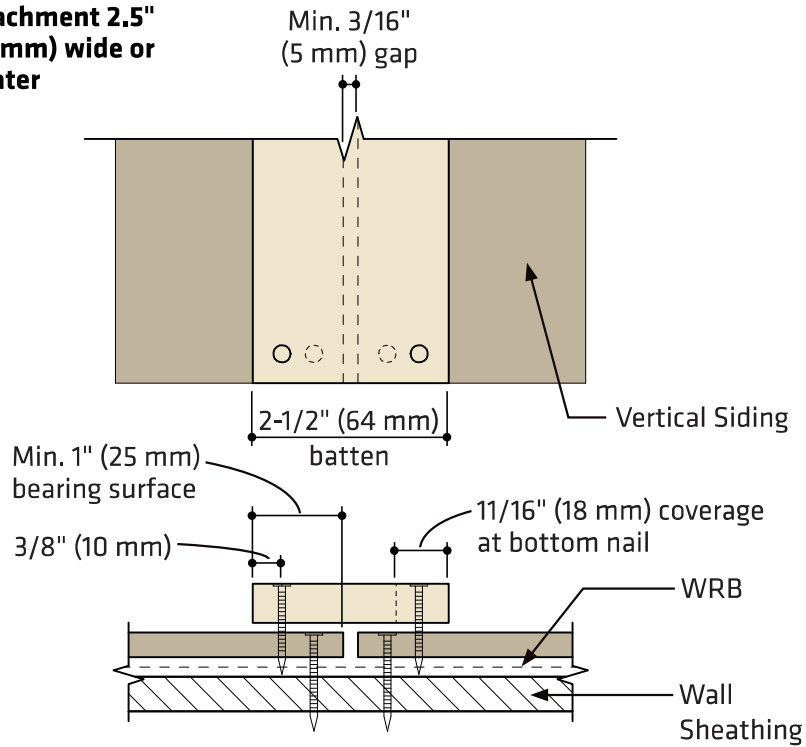


Figure 4a

Alternate Batten Attachment less than 2.5" (64 mm) wide

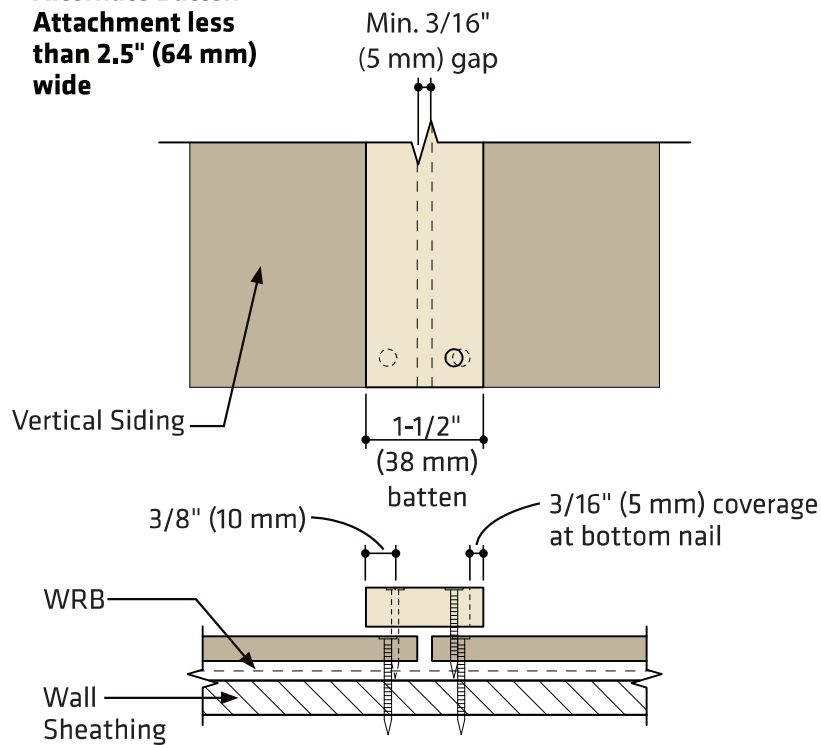


Figure 4b

ADDRESS 414 Union Street
Suite 2000 Nashville, TN
TEL (615) 986-5600
FAX (615) 986-5666
WEB www.lpcorp.com

Date Created: 03/15/2017
Last Revision: 05/02/2020(b)



**Two Story
One Floor to Ceiling
Horizontal Joint Between Floors**

**One Story
One Plate-to-Plate**

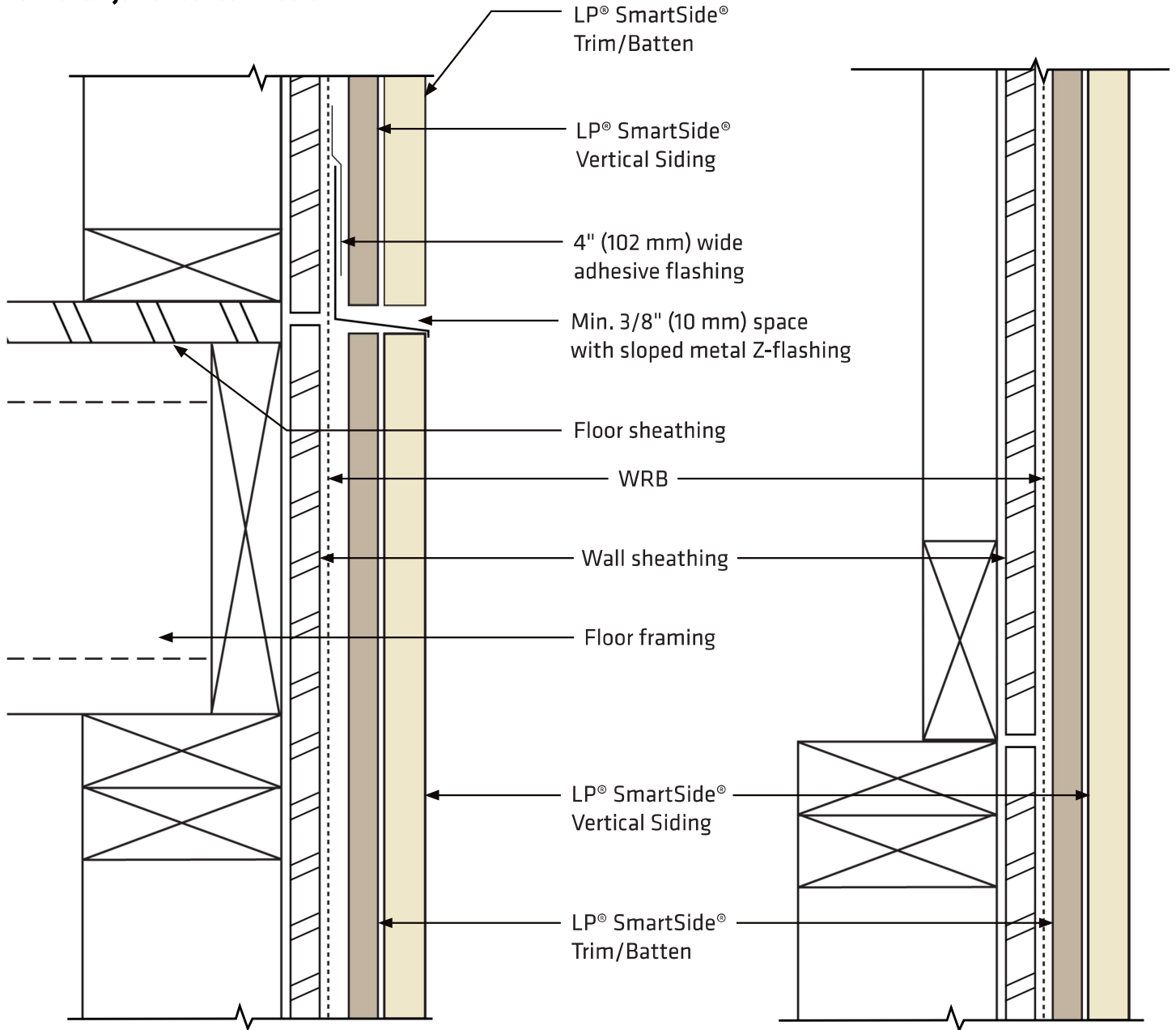


Figure 5a

Figure 5b

Date Created: 03/15/2017
Last Revision: 05/02/2020(b)

ADDRESS 414 Union Street
Suite 2000 Nashville, TN
TEL (615) 986-5600
FAX (615) 986-5666
WEB www.lpcorp.com

BUILD WITH US.™

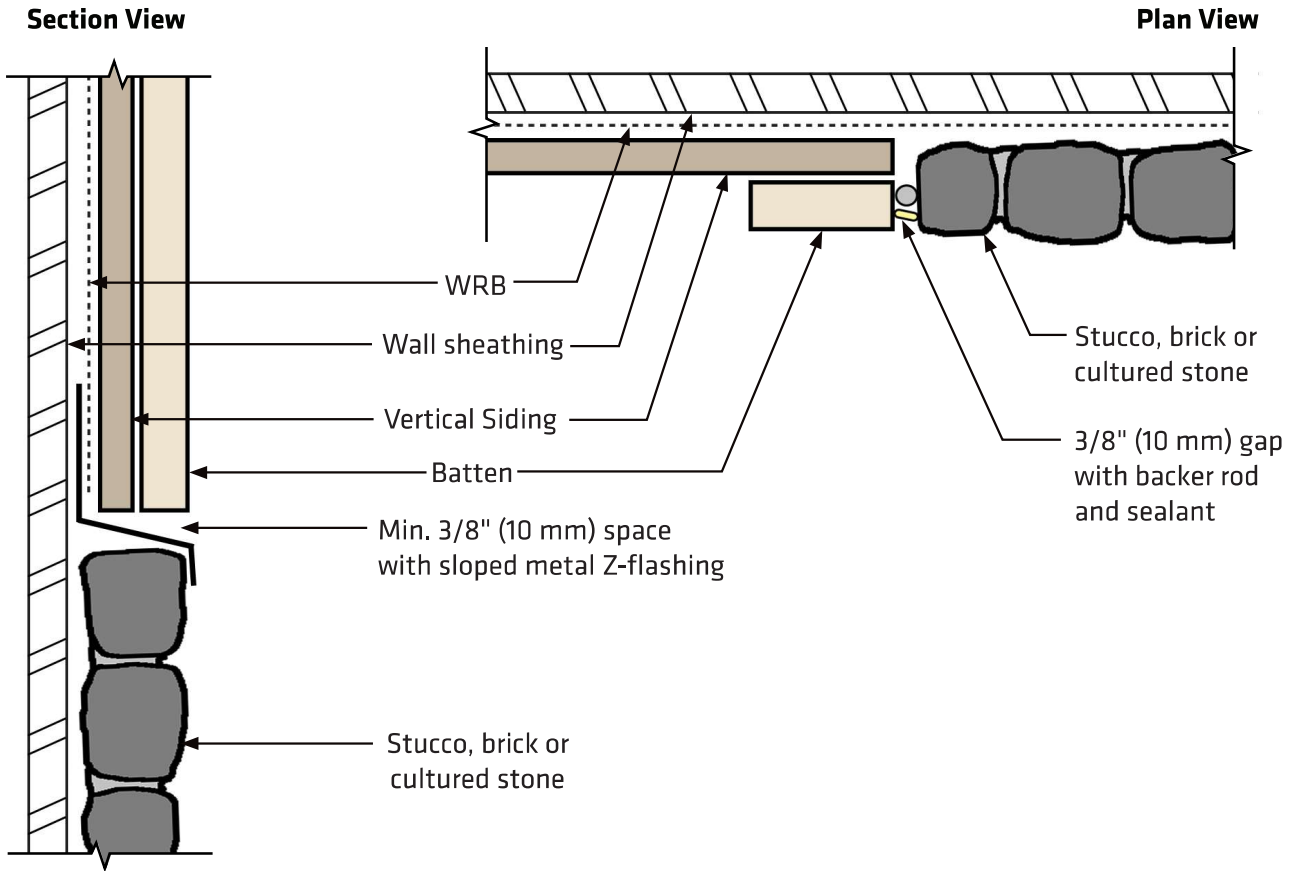


Figure 6

Date Created: 03/15/2017
 Last Revision: 05/02/2020(b)

ADDRESS 414 Union Street
 Suite 2000 Nashville, TN
TEL (615) 986-5600
FAX (615) 986-5666
WEB www.lpcorp.com

BUILD WITH US™